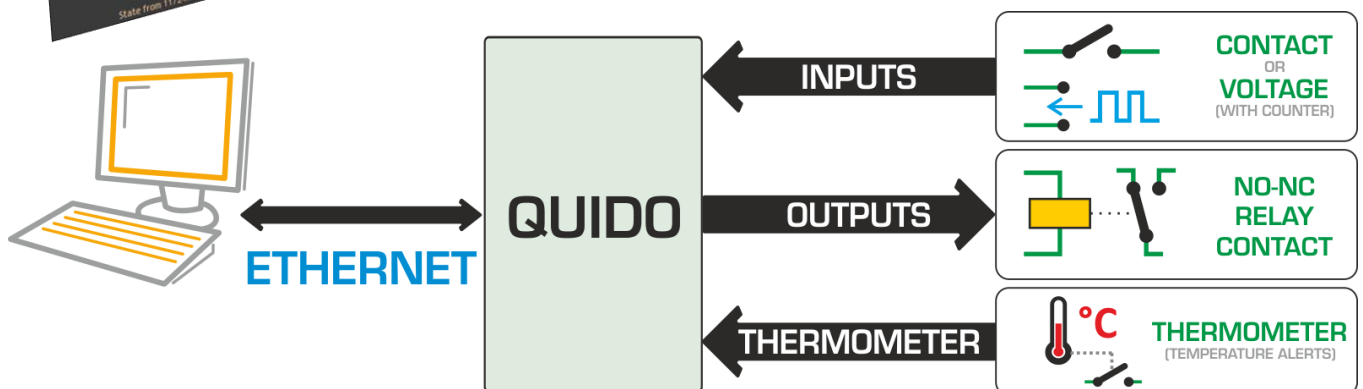




Quido ETH

Family of I/O modules for output management, input status monitoring and temperature measurement

Communication over Ethernet



Quido ETH

Data Sheet

Created: 15.3.2005

Last revision: 12.03.2021 13:35

Number of pages: 40

© 2021 Papouch s.r.o.

Papouch s.r.o.

Address:

**Strasnicka 3164
102 00 Prague 10
Czech Republic**

Tel:

+420 267 314 268

Internet:

www.papouch.com

E-mail:

info@papouch.com



TABLE OF CONTENTS

Description.....	5
Features	5
Basic functions.....	6
Practical applications	6
I/O Quido module – control options.....	6
Block diagram.....	6
Available designs	7
Available accessories	9
First Connection.....	10
Input and Output Wiring	12
Inputs.....	12
Outputs.....	13
Principle of input status monitoring	15
Configuration and Control	16
Web interface – Control	16
Wix software	17
Spinel protocol.....	17
Modbus TCP protocol	18
Configuration via Telnet protocol.....	18
Connection.....	18
IP address is not known.....	18
IP address is known.....	19
Telnet main menu.....	19
Server	19
Factory Defaults	20
Exit without save	20
Save and exit	20
XML file.....	21
Inputs: din.....	21
Outputs: dout	22
Thermometers: temp.....	22
status	23
HTTP GET	23
Sending the current status to a remote server	23
Method of sending the request.....	24
Request parameters	24
Quido setup in response to GET	24
Quido control by HTTP GET.....	25

Response to HTTP GET	27
Sending of e-mails	28
Change in the status of input or output.....	28
Exceeded temperature limits.....	28
Sensor error.....	28
Test message to verify the settings.....	28
SNMP	29
FAQ	30
Which settings are required for Quido to work in my network?.....	30
How to find out the IP address of Quido?.....	30
Reset	31
LED indicator lights	32
Technical parameters.....	33
Inputs.....	33
Outputs	33
Thermometer	33
Control interface.....	34
Connectors	35
Other parameters.....	35

DESCRIPTION

Quido ETH is a family of I/O modules with digital inputs, outputs, and a thermometer. Inputs are designed to connect voltage or contacts – can distinguish two states (0 and 1). The outputs are relays with a changeover contact. The thermometer can be connected to a cable of up to 15 meters and is able to measure temperatures in the range from -55 to +125 °C. Quidos connect directly to a LAN (Ethernet) and can be fully controlled and managed through a web interface.

The list of available versions of Quido ETH:

Name	Number of inputs To connect contacts, voltage and pulse outputs, etc.	Number of outputs Power relay with one changeover contact	Number of thermometers Sensor for -55 to +125 °C on a cable of up to 15 m
Quido ETH 3/0	3	0	1
Quido ETH 3/0 B ¹ (in aluminium case)	3	0	1
Quido ETH 10/1	10	1	1
Quido ETH 4/4	4	4	1
Quido ETH 8/8	8	8	1
Quido ETH 30/3	30	3	1
Quido ETH 60/3	60	3	1
Quido ETH 100/3	100	3	1
Quido ETH 0/2	0	2	1
Quido ETH 2/16	2	16	1
Quido ETH 2/32	2	32	1

Features

- Galvanically isolated digital inputs for voltage or contacts.
- SPDT Relay outputs.
- Thermometer with a measuring range of -55 to +125 °C.
- Connects directly to LAN (Ethernet).
- LED indication of power, communication, and the status of inputs and outputs.
- External power supply 8 to 30 V.
- Controlled:
 - by standard protocols: MODBUS TCP², SNMP, HTTP GET, Spinel²
 - via a web interface:
 - For all modern web browsers including OS iPhone and Android.
 - Separate access for viewing and for configurations.

¹ This type of Quido has a separate documentation.

² The documentation of Spinel and MODBUS TCP protocols is available in separate documents. (Downloadable from papouch.com.) The Spinel protocol comes with a free software – Spinel Terminal – for easy tuning of applications. Spinel.NET (C#) library is also available [on GitHub](#) (Czech documentation).

- Optional status symbols of inputs and outputs.
- by Wix Software.

Basic functions

- Reads the current status of inputs
- Automatically sends information (email, HTTP GET, ...) about changes on the inputs
- Counts pulses on the inputs or changes in the status of the input (for first 60 inputs) ³
- Control of output relays with a changeover contact
- Configuration of the outputs for a defined period
- Thermometer: measuring range of -55 to +125 °C
- Temperature monitoring (the relay closes when temperature changes, closes for a predefined period when a specified temperature has been reached; sends an e-mail or HTTP GET)

Practical applications

- The state of the sensors can be viewed from a PC.
- Computer monitoring of safety sensors and control of various devices.
- Monitoring of the status of door contacts and remote opening of the front door.
- Counting the number of passing people.
- Small-scale automation of objects and manufacturing processes.
- Autonomous control or remote control based on the measured temperature.
- Integration of numerous inputs and outputs in different locations.

I/O Quido module – control options

(For more information about these options see page 16.)

- Via a web interface.
- Standard industrial network protocol MODBUS TCP.⁴
- Network protocol SNMP.
- Easy control and sending and notifications of the current status via HTTP GET queries.
- Access to all information in Quido via XML.
- Via Spinel – a serial protocol used for communication by all devices provided by Papouch Company. The protocol is well documented, including examples for each instruction, and it comes with a convenient terminal for communication tuning.⁵
- Using .NET library [Spinel.NET](#) (C#) available [on GitHub](#) (with Czech documentation).
- Via Wix Software.
- Upon your request, we are able to modify the protocol in Quido or implement your own protocol. Feel free to contact us.

Block diagram

The number of inputs and outputs depends on the particular version of I/O Quido Module.

³ Counters states are not stored when power goes down or after reset. (Tip: [Papago 5DI 1DO ETH](#) does remember counters even after power failure and has other functions for impulse counting.)

⁴ The documentation of MODBUS is available in a separate document.

⁵ SpinelTerminal can be downloaded free of charge from en.papouch.com .

The temperature sensor is connected via cable – the sensor is not part of the module.⁶

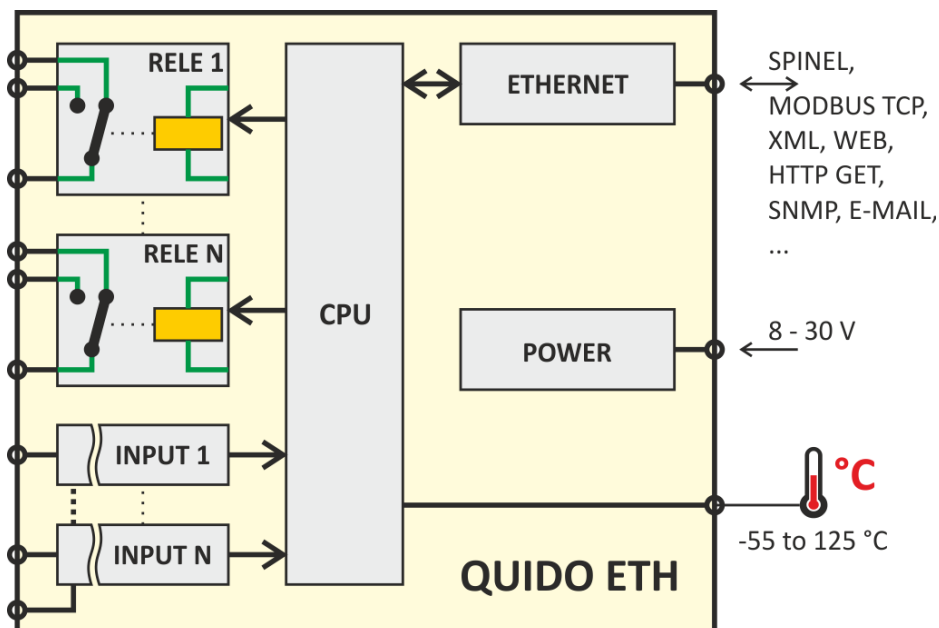


Fig. 1 – Basic functions and block diagram of Quido ETH

Available designs

Input voltage levels:

- 4.5 to 9 V
- 7 to 28 V (*standard design*)

Temperature sensor design:

- Sealed in shrinkable coating (*standard design*)



Fig. 2 – sensor in shrinkable coating

- In metal housing



Fig. 3 – sensor in metal housing

Sensor cable length:

- 3 m (*standard design*)
- 1 m, 5 m, 10 m, 15 m

Thermal resistance of the sensor cable:

- -10 to +70 °C (*standard design*)
- -60 to +200 °C – silicone cable; blue colour

Cover and mounting:

- Electronics board only (*standard design*)

⁶ Quido can be supplied in various designs – see chapter *Available designs* on page 7.

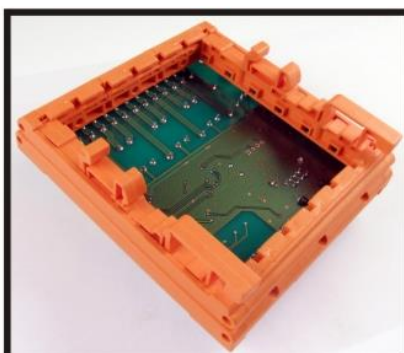


Fig. 4 – example of standard design (here: Quido ETH 4/4)

- All mounting options are illustrated below (here: Quido ETH 4/4):



Board with a DIN rail



Board with a DIN rail (below)



Board with a plexi cover



Board with a plexi and DIN



Board in a box with plexi



Board in a box



Board in a box (below)



Board in a box with DIN (below)



Board in a box with plexi cover and DIN rail mount (bottom)

Examples of functions that can be added upon customer's request:

- outputs will close depending on the preset combination of inputs
- modifications allowing you to use your communication protocol

- Memory for a greater number of changes in the input state.
- ... we will be happy to add features tailored to your application.

Do not hesitate to contact us if you have any other requirements concerning the design and functions of Quido ETH.

Available accessories

Power supply unit for Quido – AC adapter

Switched power supply unit for 100 to 240 V; AC adapter design.

Available versions: 12V/0,5A; 12V/2A; 24V/1A



Power supply unit for Quido – mountable to DIN rail

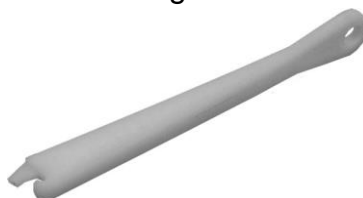
Switched power supply unit for 100 to 240 V; mountable to 35 mm DIN rail.

Available versions: 12V/0,5A; 12V/2A; 12V/4,5A; 24V/1,5A; 24V/2,5A



Lever for Wago 236 terminals – plastic

a tool enabling easy connection of wires to Wago 236 terminals (standard part of delivery)



Lever for Wago 236 terminals – metal

a tool enabling easy connection of wires to Wago 236 terminals (sturdy metal design)



FIRST CONNECTION

Tip: Quido is supplied with a plastic lever enabling easy connection of wires. The method of using the lever is illustrated in the figure below.⁷

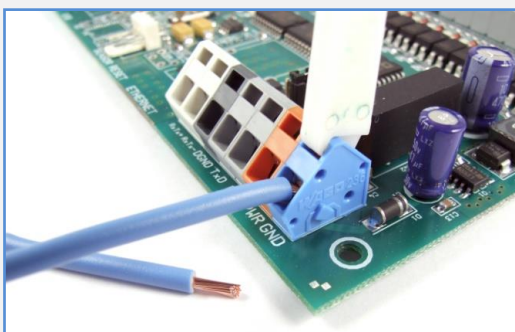


Fig. 5 – how to use the level for easy connection of wires

- 1) Connect direct-current supply voltage within the range of 8 to 30 V to the PWR (+ orange) and GND (– blue) terminals. Quido is equipped with protection against reverse polarity of power supply. After connecting the power supply, the PWR LED on the board lights up.



Fig. 6 – example of terminals on Quido ETH 4/4 (from left): sensor, ethernet, power supply and inputs

- 2) Now it's time to connect Quido to the computer network.
 - a. Use a standard (non-crossover) cable to connect Quido to the net switch.⁸
 - b. If the range of IP addresses in your network is not compatible with the default IP address (**192.168.1.254**) and net mask (**255.255.255.0**) of Quido, set a suitable address by using Ethernet Configurator. This software can be downloaded from en.papouch.com.

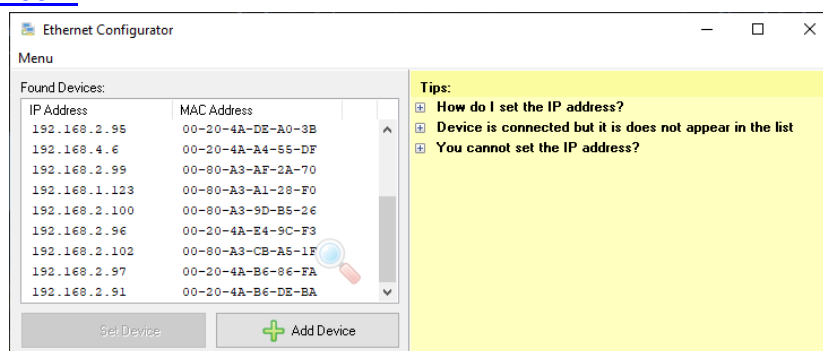


Fig. 7 – Ethernet Configurator for easy configuration of IP address

- c. After setting the address, you can connect to Quido via a web browser. The web interface is available directly at the address of Quido.

⁷ You can also use a small flat screwdriver.

⁸ If you wish to connect Quido directly to a single PC, use a crossover cable.

- 3) If your Quido enables connection of a thermometer, the board includes a connector (with three terminals - see Fig. 8) labelled SENSOR (or TEMP). Here you can connect the temperature sensor. (The thermometer needs to be connected only if you want to measure temperature or use one of the functions of temperature monitoring.)⁹

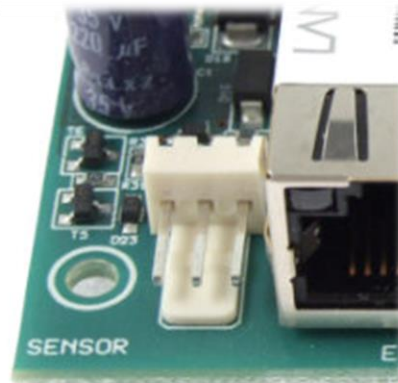


Fig. 8 – connector for the thermometer (here: Quido ETH 4/4)

- 4) Connect the input and output terminals as required. For detailed description of available options see page 12.
- 5) For information about the web interface, control software and communication protocols that can be used to control and communicate with Quido see page 16.

⁹ If the electronics board contains the connector but you do not have a temperature sensor, the sensor can be ordered separately.

INPUT AND OUTPUT WIRING

Inputs

The inputs can be controlled by applying voltage or connecting a contact.

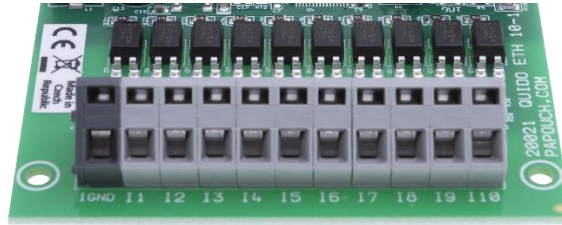


Fig. 9 – input terminal block of Quido ETH 10/1

Each input is connected as illustrated in Fig. 10. IGND ground is galvanically isolated from GND devices.

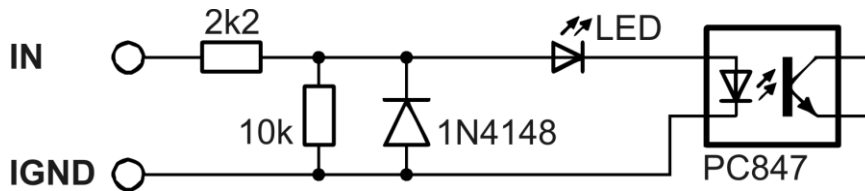


Fig. 10 – wiring of the input circuit ¹⁰

Inputs for connecting a contact

Connection examples for contacts are shown in Fig. 11.

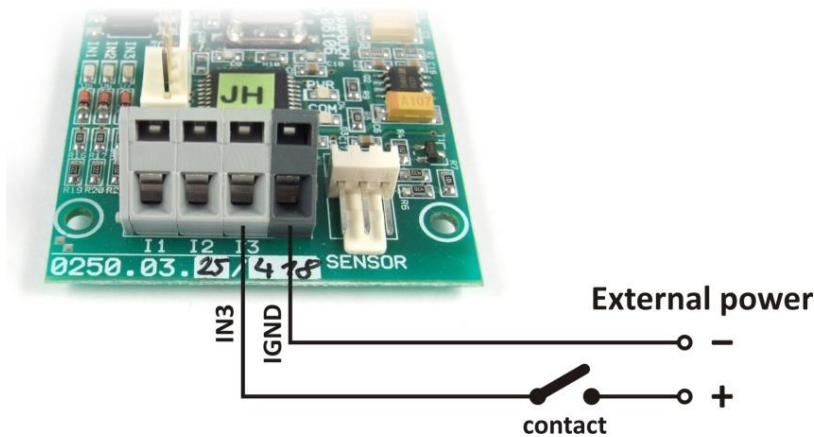


Fig. 11 – inputs for connecting a contact

Note: If an external source is used for connecting contacts, the inputs are galvanically isolated. If the same source as for Quido is used as the "external source", the galvanic isolation is compromised and the inputs are electrically connected to Quido via the ground of the source.

¹⁰ Resistor values may vary depending on the ordered model.

Voltage input

The voltage input is connected as shown in the following figure.

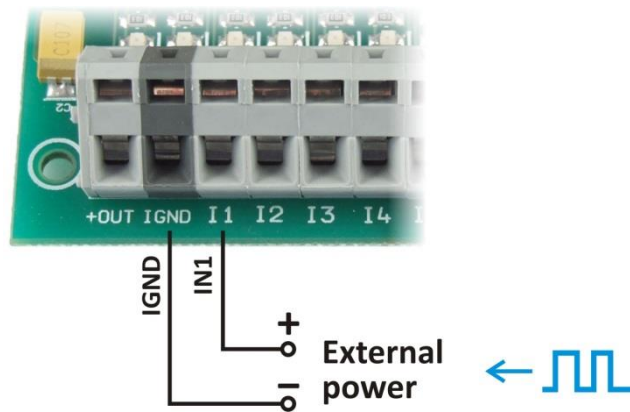


Fig. 12 – voltage input (e.g. to connect a pulse output)

Outputs

All outputs are equipped with changeover (SPDT) contact relays (max 60 V AC or 85 V DC! ¹¹).

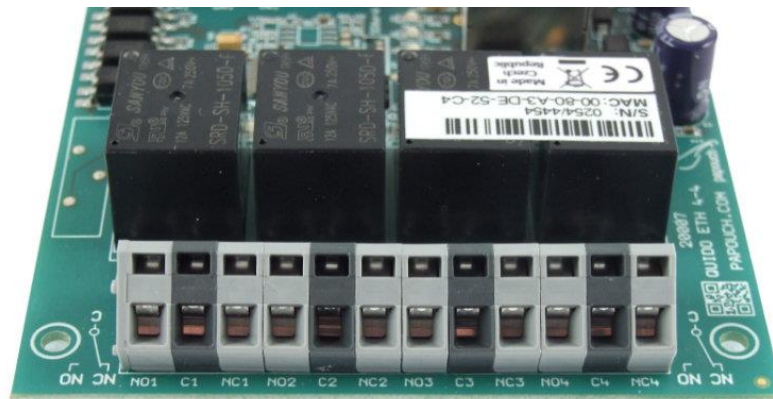


Fig. 13 – changeover contacts of output relays

In idle mode, the output is connected as follows:

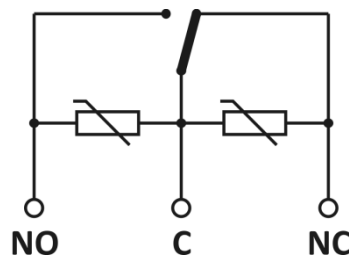


Fig. 14 – relay contact connection including varistors

¹¹ An example of connection used for higher voltages can be found on the next page.

Example of output connection used for higher voltages (e.g. 230 V)

For higher voltages of e.g. 230 V the Quido outputs need to be strengthened by an external relay or a contactor.¹² An example of wiring is shown in the figure and diagram below.

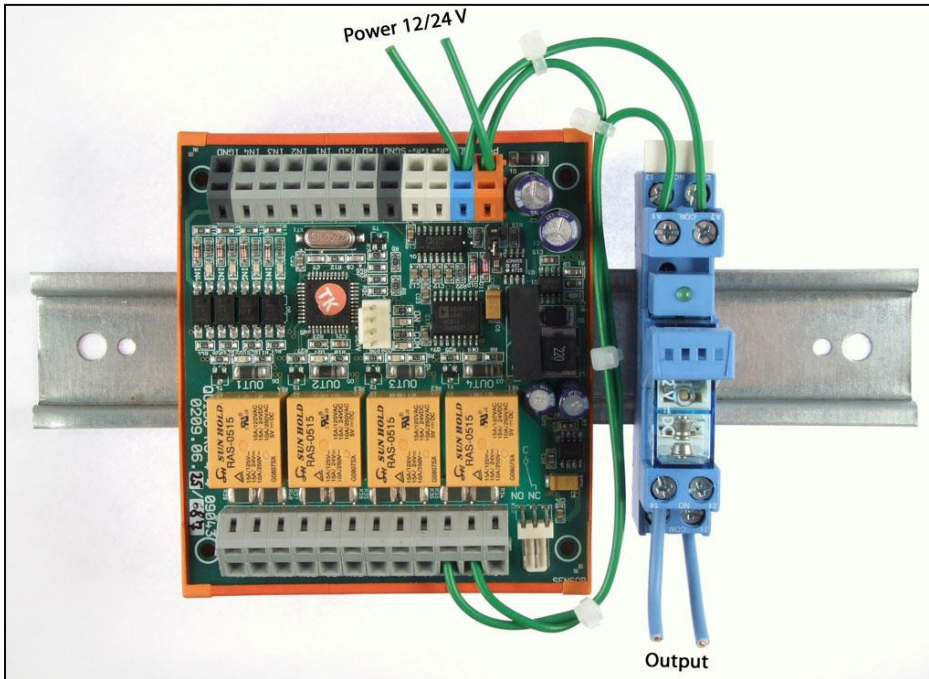


Fig. 15 – example of Quido wiring for 230 V AC

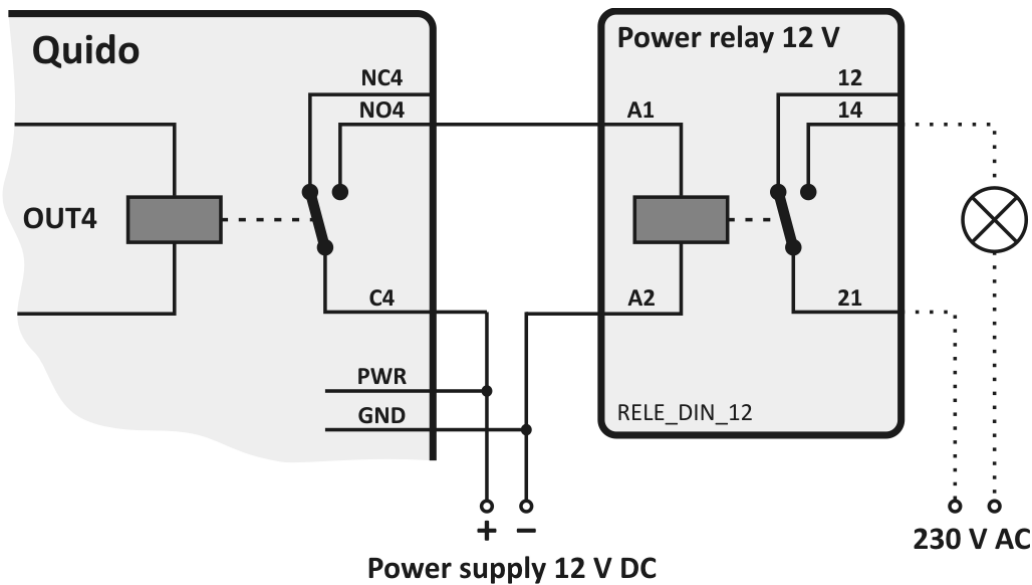


Fig. 16 – block diagram for the wiring shown in Fig. 15 and an example of switching a 230 V bulb

¹² Power relay for up to 300 V AC, illustrated in the figure, can be ordered using the following codes: RELE_DIN_5 (for 5 V supply), RELE_DIN_12 (12 V), RELE_DIN_24 (24 V), RELE_DIN_48 (48 V).

Principle of input status monitoring

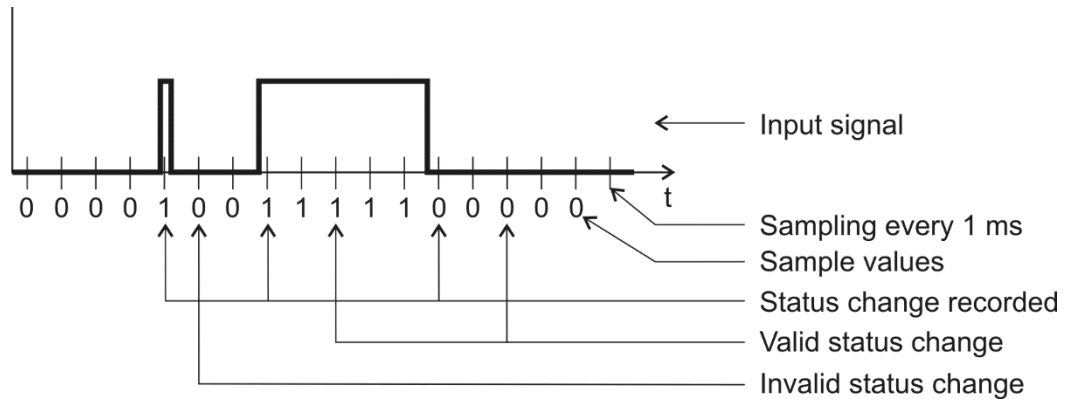


Fig. 17 – principle of input status monitoring

The input is sampled at intervals of 1 ms. The input status is considered valid if the same value has been read several times in a row. The number of times in a row that the same value must be read can be configured via a web interface in the *Inputs* tab, line *Number of samples for status change*. The default value is 20 – i.e. 20 ms. (The value of 20 ms is fixed in Quido ETH 3/0B and cannot be changed.)

When a change in input status occurs, a message is sent automatically (if enabled in the Spinel protocol). If there is a counter is enabled for the input, it is incremented according to its settings.

CONFIGURATION AND CONTROL

After being connected, Quido can be controlled and configured by one of the following ways:

	monitoring	control	configuration
Web interface	✓	✓	✓
Wix software	✓	✓	
Ethernet Configurator software			✓
Spinel protocol	✓	✓	✓
MODBUS TCP protocol	✓	✓	
SNMP protocol	✓	✓	
HTTP GET queries	✓	✓	
via XML	✓		
Telnet protocol			✓
E-mail	✓		

WEB INTERFACE – CONTROL

Web interface allows complete monitoring, control and configuration of Quido. The web interface requires JavaScript to be enabled. The interface is optimized for Mozilla Firefox, Google Chrome and Microsoft Edge (Chromium core).

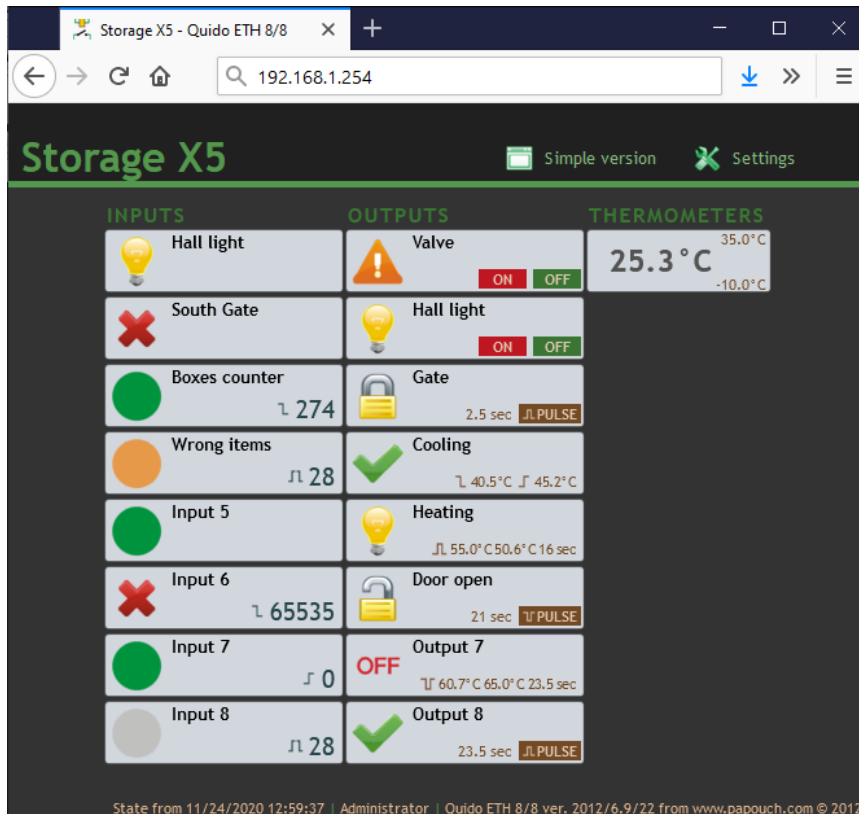


Fig. 18 – the main page of Quido ETH 8/8 opened in Chrome 81

WIX SOFTWARE

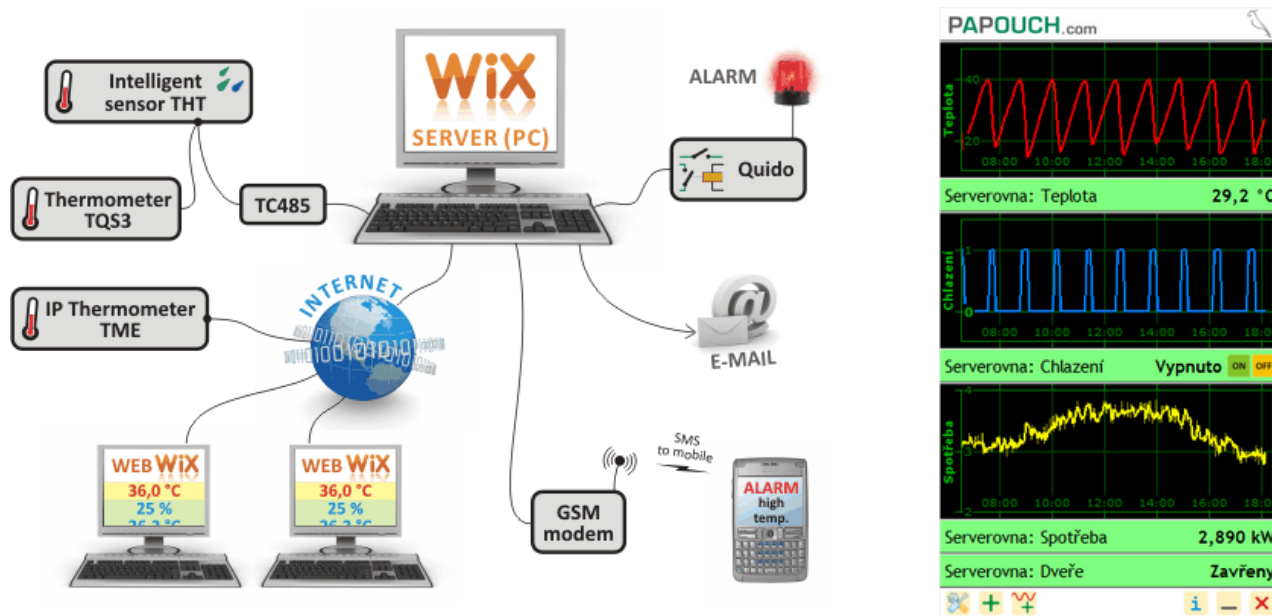


Fig. 19 – universal Wix software

The Wix universal software is able to work with most of our equipment so Quido can be easily integrated. It can be used to monitor the status of inputs, outputs, counters, and the thermometer. Besides, the program gathers and combines values from all devices connected to it and uses them to perform various actions: to control outputs, send e-mails, display alerts, send SMS via a connected modem, etc. Wix can be downloaded from en.papouch.com.

SPINEL PROTOCOL

Spinel is the default protocol that Quido uses for communication. It is available both in ASCII and binary versions. It can be used to fully control and configure Quido. All commands are well documented including examples for each instruction. Spinel also comes with SpinelTerminal program for comfortable tuning of communication via the Spinel protocol.

For full documentation see a separate document called Quido – Spinel. The SpinelTerminal can be downloaded from en.papouch.com.

Spinel.NET C# library

Spinel protocol can also be implemented using [Spinel.NET](#) library designed for .NET. It is freely available [on GitHub](#). (Czech documentation only.)

Example of turning output OUT3 on for 5 seconds: ([more here](#)):

```
if (MyQuido.CmdSetOutput(3, true, 10))
    Console.WriteLine("Ok");
else
    Console.WriteLine("Error");
```

Example of reading impulses form the IN2 counter: ([more here](#)):

```
if (MyQuido.CmdGetCounter(2, out int counter))
    Console.WriteLine($"Counter value is {counter}.");
```

MODBUS TCP PROTOCOL

Quido can also communicate via the industry standard protocol MODBUS TCP. Full documentation of MODBUS TCP can be downloaded from en.papouch.com.

CONFIGURATION VIA TELNET PROTOCOL

Connection

IP address is not known

It is recommended that the IP address should be set using the EthernetConfigurator software (for more information see page 10).

- 1) Open the window of the cmd command. (In the Windows OS select Start/Run, enter `cmd` in the provided line and click Enter.)
- 2) Make the following entries into the ARP table:
 - a. Type `arp -d` and confirm by Enter. This will delete the current ARP table.
 - b. Use the following command to assign the IP address of 192.168.1.254 to the MAC address of the module:

```
arp -s [new_ip_address] [MAC_address_of_device]
```

example: `arp -s 192.168.1.254 00-20-4a-80-65-6e`
- 3) Now open Telnet. (Type in `telnet` and press Enter. ¹³)
- 4) Enter `open [new_ip_address] 1` and confirm.
- 5) After a while, the terminal will display an error message saying that connection failed. However, this step is necessary for the module to enter the IP address into its ARP table.
- 6) Connect to the IP address of the module. (Type in `open [IP address in dotted format] 9999` and click Enter.)
- 7) So far you have only entered the configuration mode of the module. The IP address has not yet been set. It must be set in the menu `Server Configuration > IP Address`. If you close the configuration mode without saving the settings and IP address configuration, the whole procedure must be repeated!
- 8) If the entered IP address is valid, the converter displays an introductory text ending with:
Press Enter for Setup Mode
Press Enter within 3 seconds, otherwise the configuration mode will close.
- 9) The device will display a preview of its settings.

¹³ In OS Windows 10, the client for Telnet is not a standard part of the system. Installation procedure:

- a) Enter "windows features" to search bar in Windows 10 and choose *Turn Windows features on or off*.
- b) Windows features window opens, check Telnet Client and click OK.

- 10) The preview ends with a paragraph called “Change setup:” which lists the groups of parameters that can be configured. Network parameters can be changed in the “Server” section where you can set a new network address and other parameters.

IP address is known

- 1) In OS Windows choose Start/Run, enter `telnet` in the provided line and press Enter. ¹³
- 2) Connect to the IP address of the module. (Type in `open [IP address in dotted format] 9999` and press Enter.)
- 3) If the entered IP address is valid, the converter displays an introductory text ending with:
Press Enter for Setup Mode
 Press Enter within 3 seconds, otherwise the configuration mode will close.
- 4) The device will display a preview of its settings.
- 5) The preview ends with a paragraph called “Change setup:” which lists the groups of parameters that can be configured. Network parameters can be changed in the “Server” section.

Telnet main menu

Individual items can be chosen using the numbers written next to them. Choose the required number and press Enter.

The menu structure is as follows:

```

Change Setup:
  0 Server
  ...
  7 Defaults
  8 Exit without save
  9 Save and exit           Your choice ?

```

Server

Basic Ethernet settings.

This section contains the following parameters:

```

IP Address : (192) . (168) . (001) . (122)
Set Gateway IP Address (N) ?
Netmask: Number of Bits for Host Part (0=default) (16)
Change telnet config password (N) ?

```

IP Address

(IP address)

IP address of the module. The digits of the IP address must be entered one by one and separated by Enter.

Default value: 192.168.1.254

Set Gateway IP Address

(set the IP address of the gateway)

Gateway IP addr

(IP address of the gateway)

In "Set Gateway IP Address" enter "Y" to change the Gateway IP address. The system then prompts you to change the Gateway IP address. The digits of the IP address must be entered one by one and separated by Enter.

Netmask

(network mask)

Here you specify the number of bits of the IP address that make up the network part.

The Netmask is set as a number of bits determining the range of available IP addresses of the local network. If, for example, value 2 is entered, the structure of the Netmask is 255.255.255.252. The entered value specifies the number of bits from the right. The maximum is 32.

Default value: 8

Example:

The mask 255.255.255.0 (binary representation: 11111111 11111111 11111111 00000000) corresponds to number 8.

The mask 255.255.255.252 (binary representation: 11111111 11111111 11111111 11111100) corresponds to number 2.

Change telnet config password

(Set the password for Telnet)

Enter new Password

(Enter the password for Telnet)

This parameter is used to set a new password which is required prior to any configuration via Telnet.

In item "Change telnet config password" enter "Y" to change the password. The system then prompts you to change the password.

Factory Defaults

By pressing number 7 the device restores the default settings.

The default setting means that all parameters will return to their initial factory settings. The IP address remains unchanged; the web interface port is set to 80.

Exit without save

To close the configuration mode without saving the changed parameters

Save and exit

This option saves the changes. If any parameter has been changed, the device is restarted. The restart takes several tens of seconds.

XML FILE

It is possible to obtain current values from Quido in the form of a text file in XML format. The file is available at [http://\[IP_address\]/fresh.xml](http://[IP_address]/fresh.xml) – i.e. for example at <http://192.168.1.254/fresh.xml> for Quido in the default setting.

```
<?xml version="1.0" encoding="ISO-8859-1"?>
<root xmlns="http://www.papouch.com/xml/quido/act">
  <din id="1" name="Svetlo chodba" sts="0" val="0" pic="12" cmo="0" cnt="0" />
  <din id="2" name="Jizni brana" sts="0" val="0" pic="17" cmo="0" cnt="0" />
  <din id="3" name="Pocet krabic" sts="0" val="0" pic="1" cmo="1" cnt="274" />
  <din id="4" name=" " sts="0" val="1" pic="3" cmo="3" cnt="28" />
  <din id="5" name="" sts="0" val="0" pic="1" cmo="0" cnt="0" />
  <din id="6" name="" sts="0" val="1" pic="17" cmo="1" cnt="65535" />
  <din id="7" name="" sts="0" val="0" pic="1" cmo="2" cnt="0" />
  <din id="8" name="" sts="0" val="1" pic="4" cmo="3" cnt="28" />
  <dout id="1" name="Klapka" sts="0" val="0" pic="7" mde="0" pars="" />
  <dout id="2" name="Osvetleni haly" sts="0" val="1" pic="12" mde="0" pars="1;0;300;351;5" />
  <dout id="3" name="Brana" sts="0" val="0" pic="10" mde="1" pars="0;0;0;0;5" />
  <dout id="4" name="Chlazení" sts="0" val="0" pic="16" mde="4" pars="2;0;405;452;6" />
  <dout id="5" name="" sts="0" val="0" pic="12" mde="5" pars="1;1;506;550;32" />
  <dout id="6" name="Jizni vjezd" sts="0" val="1" pic="11" mde="2" pars="0;0;0;0;42" />
  <dout id="7" name="" sts="0" val="0" pic="15" mde="6" pars="1;1;607;650;47" />
  <dout id="8" name="" sts="0" val="0" pic="16" mde="1" pars="3;1;600;653;47" />
  <temp id="1" sts="0" val=" 25,3" th=" 35" tl=" -10" tenb="1" />
  <status location="U Papoucha" unit="C" />
</root>
```

The XML file contains four types of nodes: *din*, *dout*, *temp* and *status*

Inputs: din

id

Unique identifier of each digital input of the device. The first input = number 1.

name

User-defined name of the input.

cnt

The current state of the counter of changes in this input.

cmo

Change counter mode:

- 0 Counter is disabled.
- 1 For each detected rising edge the counter increases by one.
- 2 For each detected falling edge the counter increases by one.
- 3 For each detected edge the counter increases by one.

val

The current status of the input (0 or 1).

sts

Shows the current status of the input; may have the following values:

- 0.....the value (*val*) is valid and represents the current status of the input
- 1.....waiting for the initial reading of the status
- 4.....an error occurred when reading the status

Outputs: dout

id

Unique identifier of each output of the device. The first output = number 1.

name

User-defined name of the output.

val

The current status of the output (0 or 1).

sts

Shows the current status of the output; may have the following values:

- 0.....the value (*val*) is valid and represents the current status of the output
- 1.....waiting for the initial reading of the status
- 4.....an error occurred when reading the status

mde

The current mode of the output; may have the following values:

- 0.....manual control mode
- 1.....time-controlled closing of contact (positive pulse)
- 2.....time-controlled opening of contact (negative pulse)
- 3.....temperature monitoring – closing of contact
- 4.....temperature monitoring – opening of contact
- 5.....temperature monitoring – time-controlled closing of contact (positive pulse)
- 6.....temperature monitoring – time-controlled opening of contact (negative pulse)

Thermometers: temp

id

Unique identifier of individual thermometers; starts from number 1.

val

The current measured temperature in the preset units.

sts

Shows the current status of the thermometer; may have the following values:

- 0.....the value (*val*) is valid and shows the current temperature
- 1.....waiting for the first temperature measurement
- 4.....sensor error

tl

User-defined lower temperature limit.

th

User-defined upper temperature limit.

status**location**

User-defined name of the device.

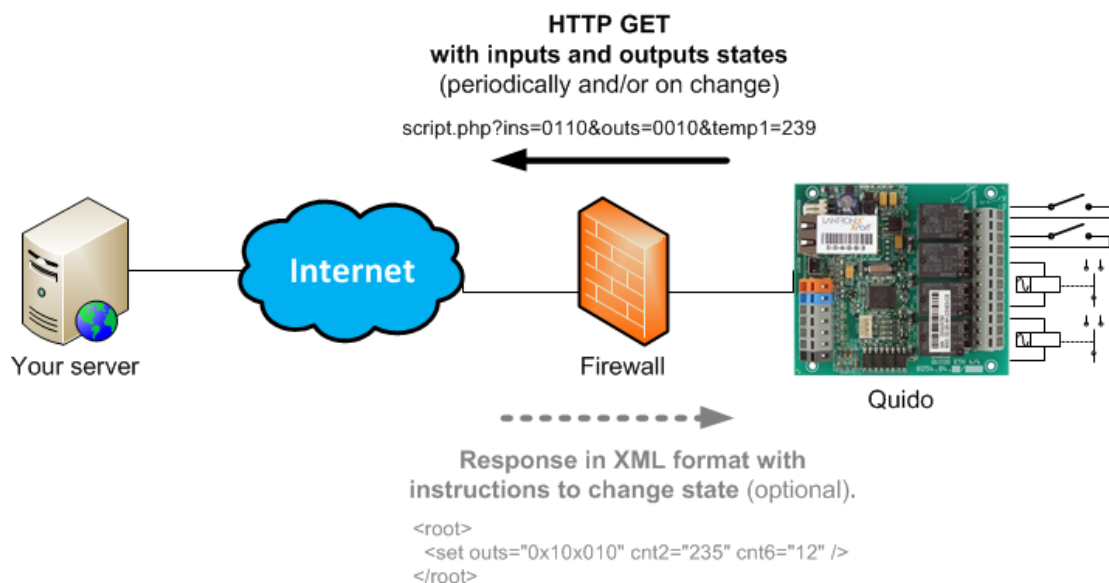
unit

The currently selected temperature unit symbolized by the capital letter C (degrees Celsius), F (Fahrenheit) or K (Kelvin).

HTTP GET

HTTP GETs can be used to **send the current status of Quido to a remote server** or to **control the outputs and counters of Quido** (page 25).

Sending the current status to a remote server



Data from Quido can be easily sent to a web server that processes the values received from Quido as HTTP GET request parameters. Quido periodically calls a script on the server on the Internet (or intranet) with current data in the HTTP GET parameter. The server can store these values in a database and further work with them – analyze them or just display them on the web for other users.

Quido settings contain the path to the script on the server. Depending on its configuration, Quido sends the current values periodically and/or when there is a change in the status of an input or output.

In addition to current data, Quido's MAC address is also sent to the server in order to uniquely identify Quido in case the server receives data from several devices.

If the response to the HTTP GET contains a setup command, the server can also set the status of outputs and input counters.

Method of sending the request

In this request type, parameters are sent in the message address as standard HTTP GET parameters. An example:

```
www.example.com/script.php?mac=00-20-4A-B4-8D-F7
&name=Office&ins=01101010&outs=00100010&tempS=0&tempV=21.8&cnt2=235&cnt6=126
```

As is evident from the example above, the request has a format that is well-known to web programmers. It is not necessary to learn new programming principles as it is sufficient to use the mechanism known from web form processing (<form name="myform" action=...).

HTTP GET is sent in two cases:

- 1) **Periodically:** If the *Periodical Sending* option is selected in the configuration of the *Sending* tab, HTTP GET is sent every X seconds (with the maximum of 3600 seconds).
- 2) **Immediately after change:** It can be set separately for each input and output whether to monitor its status changes. If a change occurs on one of these inputs/outputs, the HTTP GET is sent immediately.

Request parameters

GET parameters are as follows:

mac..... MAC address to uniquely identify the sender

name..... device name, user-defined

ins..... a string showing the status of individual inputs; for each input of the device, the string contains a character: 0 (inactive), 1 (active), depending on its current status

outs..... a string showing the status of individual outputs; for each output of the device, the string contains a character: 0 (open) or 1 (closed), depending on its current status.

tempS shows the status of the measured temperature; it can have the following values:

0the value is valid and represents the currently measured value

1waiting for the first measurement

2the measured value has exceeded user-defined upper limit

3the measured value has dropped below the user-defined lower limit

4the value is not valid – measuring error or sensor error (damaged sensor or cable)

tempV the measured temperature as a decimal number without units.

cntX..... the number counted by the counter on input X. This parameter is provided for each input. "X" is replaced by the input number (numbering starts from one).

Quido setup in response to GET

The status of outputs and counters in Quido can be set easily by a string in direct response to HTTP GET. This is especially helpful in cases where it would not be desirable for safety reasons to establish a connection to the local computer network from the Internet. The server in the Internet waits for a regular HTTP GET from Quido and responds by sending a command to change the status of inputs or to reset the counters.

The response is structured in the XML format and looks like this:

```
<?xml version="1.0" encoding="ISO-8859-1"?>
```



```
<root>
  <set outs="0x10x010" cnt2="235" cnt6="12" />
</root>
```

The *set* node contains individual parameters that can be used to set the status of outputs or change the status of counters. XML should contain no information other than that listed above.

outs

A string showing the required status of individual outputs. The parameter must show a string whose length is exactly equal to the number of outputs. Each character corresponds to one output. The first character on the left represents the first output. The characters can be:

- 0 Open the output. (It works only if the output is in manual mode.)
- 1 Close the output. (It works only if the output is in manual mode.)
- x..... Leave the output unchanged. (x is the only valid value for outputs controlled by temperature.)

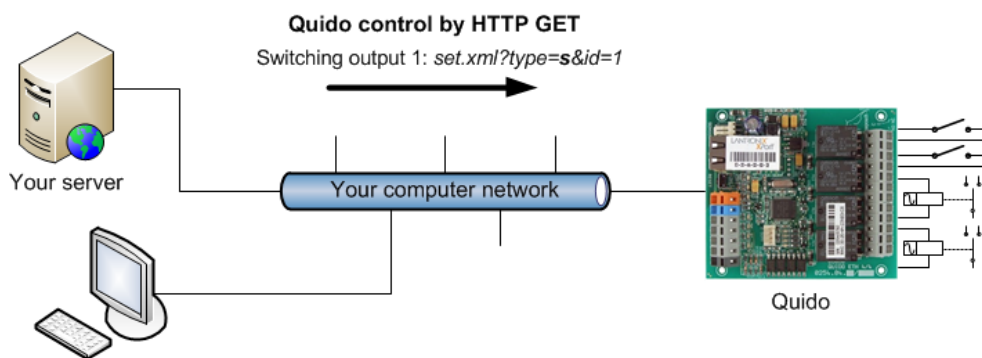
The above example applies to Quido ETH 8/8.

cntX

These parameters (instead of X, specify the number of the output) can be used to subtract a value from the current state of a counter in Quido. The number you specify is subtracted from the current state of the counter.¹⁴ (The number must be equal to or less than the current counter status.)

The maximum number of cntX parameters in one instruction is ten. Quido is not able to process more than that.

Quido control by HTTP GET



The following commands can be used to easily control the outputs and counters of Quido. GETs are received by the *set.xml* script. For Quido in the default setting the complete address of the script is: <http://192.168.1.254/set.xml>. This script can only be run **after entering the user name and password** (if these are set in Quido).

Close the output

Example: *set.xml?type=s&id=1*

This command closes the output whose number is specified in *id* (OUT1 in this case).

¹⁴ The counter is not reset because resetting the counter could result in omitting some pulses coming between the last reading of the counter and its resetting.

By adding *time* parameter you can set for how long the output should be ON. You can enter a number from 1 to 255 corresponding with 0.5 to 127.5 seconds ON time.

Open the output

Example: `set.xml?type=r&id=5`

This command opens the output whose number is specified in *id*.

By adding *time* parameter you can set for how long the output should be OFF. You can enter a number from 1 to 255 corresponding with 0.5 to 127.5 seconds OFF time.

Invert the output

Example: `set.xml?type=i&id=12`

This command inverts the output whose number is specified in *id*.

Generate a pulse on the output

Example: `set.xml?type=p&id=2`

This command generates a required pulse on the output whose number is specified in *id*.

Deduction from a counter

Example: `set.xml?type=c&id=3&cnt=274`

This command can be used to subtract a specified value from the current state of a counter. The number of the counter is specified in *id*. The value to be subtracted is specified in *cnt*. (The *cnt* value must be equal to or less than the current counter status.)¹⁵

Reset all counters

Example: `set.xml?type=C`

This command can reset the current value of all counters simultaneously.¹⁵

Close all outputs

Example: `set.xml?type=S`

This command can be used to close all outputs.¹⁶

Open all outputs

Example: `set.xml?type=R`

This command can be used to open all outputs.¹⁶

Simultaneous setting of multiple outputs

Example: `set.xml?type=A&sts=00110x01`

This can be used to set the status of several outputs simultaneously.¹⁶ The *sts* contains exactly as many characters as is the number of Quido outputs. (The above example applies to Quido ETH 8/8, so the number of characters is 8.) The first character represents OUT1. The characters can be as follows:

- 0 ... to open the output
- 1 ... to close the output

¹⁵ This command is not implemented in Quido ETH 3/0B. Can be done via [XML response](#).

¹⁶ Please note that the command works only if all the outputs are in the manual mode!

- x ... leave the output unchanged

Response to HTTP GET

The response to setting commands is in the XML format. Example:

```
<?xml version="1.0" encoding="ISO-8859-1"?>
<root>
  <result status="1" outs="6" val="0" pic="7"/>
</root>
```

The meaning of the parameters in XML is as follows:

- The **result** tag is always only one.
- The **status** attribute contains number 1 (command executed) or 0 (command not executed).
- The **outs** attribute contains a number specifying the status of all outputs. The number is decimal and must be converted to binary system to determine the status of each output.
Example: Number 6 in Quido ETH 8/8 means than outputs 2 and 3 are closed. (6 in the decimal system equals to 00000110 in the binary system.)
- The **val** attribute contains 0 (output is open) or 1 (output is closed). This attribute is valid only if the command was for a specific output.

SENDING OF E-MAILS

Quido can send the following information via email:

Change in the status of input or output

If for any reason the status of any input or output changes and this option is enabled¹⁷, Quido sends an email message. Example:

Subject: QUIDO_info_Sklad

Message: Input 1:(Okno) is ON

The subject shows the user-defined name of Quido. The message body specifies whether the message refers to an input or output, shows its user-defined name and status (ON or OFF).

Exceeded temperature limits

If the temperature of the connected thermometer exceeds the preset limits, Quido sends an email message. Depending on the configuration, Quido is able to send messages repeatedly until the temperature returns within the limits. Example:

Subject: QUIDO_info_Sklad

Message: Temperature alert! Upper limit: 26.0 C Current: 28.3 C

The subject shows the user-defined name of Quido. The message body specifies which limit has been exceeded and shows the current temperature.

Sensor error

If the function of temperature limits monitoring is enabled and an error occurs in the sensor, Quido send a single message. The error may be caused by a disconnected or defective sensor. Example:

Subject: QUIDO_info_Sklad

Message: Temperature sensor error

The subject shows the user-defined name of Quido.

Test message to verify the settings

Press the *Test* button in the *Email* tab in the Quido configuration window to send a test message to verify the settings.

Subject: QUIDO_info_Sklad

Message: Test message

¹⁷ It means that changes are monitored for the particular input or output and the function of sending emails is enabled in the relevant tabs of the configuration window.

SNMP

SNMP protocol contains objects with current states. MIB table, which you can import to your SNMP manager is freely available on papouch.com. Quido uses SNMP version 1.

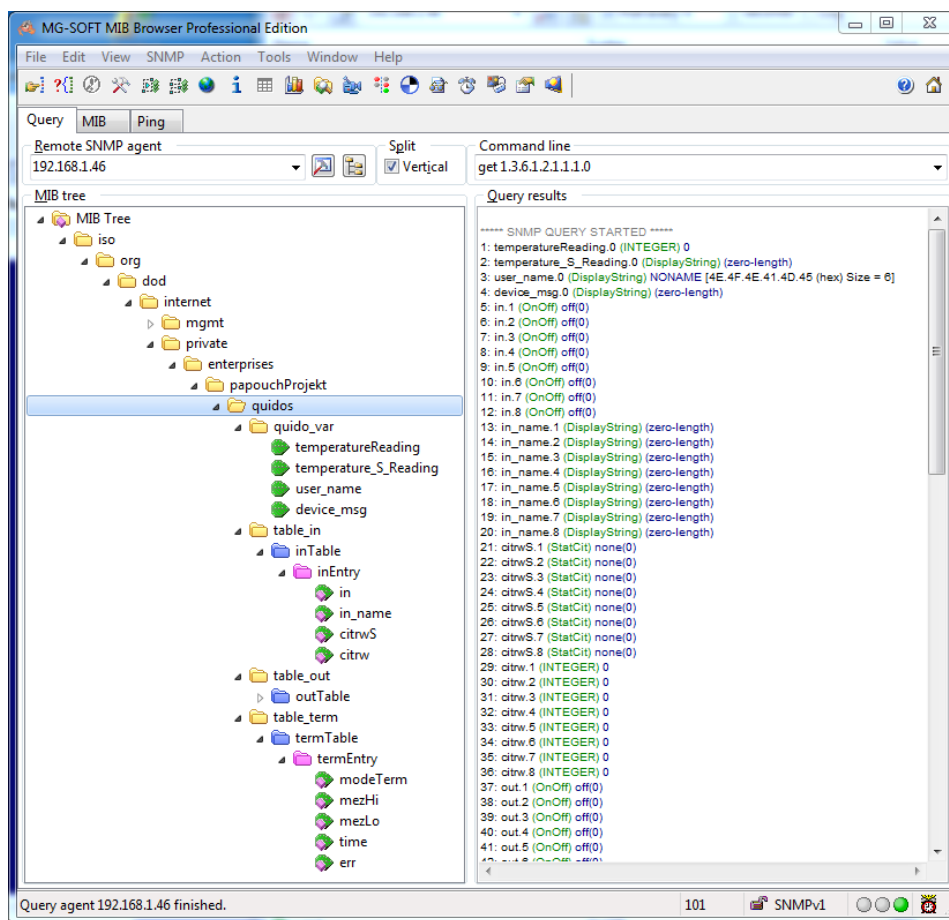


fig. 20 – MIB tree in Quido ETH

Tip: If you want to browse the whole SNMP tree using SNMPWALK utility (Linux), you need to specify exactly where the readout should start after the IP address. For example:

```
snmpwalk -v1 -c public 192.168.1.254 1.3.6.1.4.1.18248
```

If you only read with IP address, you will get just basic system IOD objects of the device.

FAQ

Which settings are required for Quido to work in my network?

It is only necessary to set the network parameters of Quido to fit your network (the IP address and the netmask, if applicable). The process bellow is described for OS Windows.

- 1) Connect Quido to the network a run Ethernet Configurator (see Fig. 7).¹⁸
- 2) Click *Add device* and enter the MAC address of Quido and the required IP address.
- 3) Click *Set*.
- 4) Now you can open the web interface of Quido using your internet browser.

How to find out the IP address of Quido?

- 1) The default IP address of Quido is 192.168.1.254. If you have changed the address or it is impossible to connect to Quido using the default address, follow the instructions below.
- 2) Run Ethernet Configurator (see Fig. 7).¹⁸ If Quido is connected to your network and its IP address is compatible, it will be displayed as one of the devices in the *List of detected devices*.
- 3) If Quido is not displayed in the *List*, make sure that it is properly connected and assign it a new IP address by following the instructions above.

¹⁸ This program can also be downloaded from www.papouch.com.

RESET

Follow the instructions below to restore the default configuration set by the manufacturer. Unlike in the case of reset performed via the web interface or using the Telnet protocol (see page 20), the IP address is also reset to the default value of 192.168.1.254.

- 1) Disconnect the device from the power supply.
- 2) Press the Reset button (may also be labelled as RST).
- 3) Connect the power supply and wait for 10 seconds.
- 4) Release the button.
- 5) The reset has been completed.

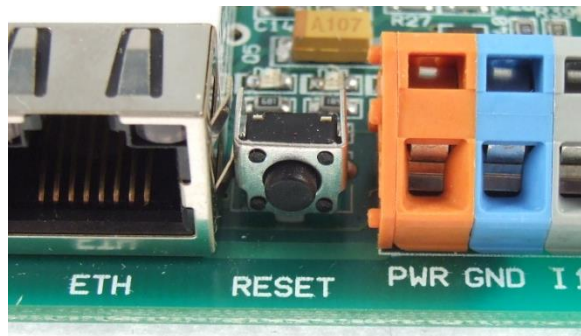


Fig. 21 – reset button in Quido

LED INDICATOR LIGHTS

Quido is equipped with LEDs for power, communication, inputs and outputs. All Quidos are equipped with two LEDs labelled PWR and COM to indicate power connection and running communication. In addition, each input and output is fitted with an LED which lights up when the input or output is active.

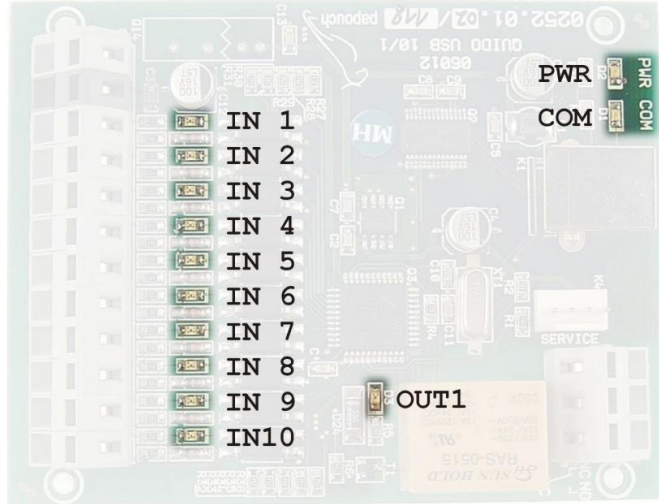


Fig. 22 – example: indicator lights in Quido USB 10/1

Power supply

The power indicator (PWR) lights up when the relevant supply voltage is connected.

Communication

In the Web mode: COM indicator is permanently on to indicate proper operation of the equipment.

In other modes: COM indicator flashes to indicate different states depending on the length of the flashes:

- Long flash (0.5 sec): After switching on, when an instruction with a valid address has been received and when sending an automatic message.
- Flash (0.1 sec) every 10 sec, indicates that the internal program in Quido runs correctly.

Inputs

Input LEDs (INx) are lit when the input voltage is applied or the connected contact is closed

Outputs

Output LEDs (OUTx) are lit when the corresponding relay is energized (closed).

Link indicator (Left LED on the Ethernet connector)

- No light..... not connected
- Yellow..... connected at 10Mbps
- Green connected at 100Mbps

Connection type indicator (right LED on the Ethernet connector)

- No light..... no communication
- Yellow..... Half-Duplex communication
- Green Full-Duplex communication

TECHNICAL PARAMETERS

Inputs

No of digital inputs	0 to 100 (depends on type)
Input type.....	for connecting voltage or a NO contact
Galvanic isolation	optical
Sampling.....	from 1 ms (by setting; see Fig. 17; default 20 ms)
Maximum no of recordable changes in the mode of counting changes	65 535

VERSION I.¹⁹:

Input voltage for state "1"	4,5 – 10 V
Input voltage for state "0"	0 – 2,5 V
Input current at 5 V.....	typically 3.2 mA
Input current at 9 V.....	typically 8.9 mA
Maximum input voltage	10.0 V

VERSION II.¹⁹:

Input voltage for state "1"	7 – 28 V
Input voltage for state "0"	0 – 3 V
Input current at 12 V.....	typically 3.5 mA
Input current at 24 V.....	typically 7.8 mA
Maximum input voltage	28 V

Outputs

No of digital outputs.....	0 to 32 (depends on type)
Type.....	changeover (SPDT) contact relay
Maximum switching voltage.....	AC voltage: 60 V, DC voltage 85 V
Maximum switched current.....	5 A
Protective varistor.....	$U_{AC} = 60 \text{ V}$; $E_{MAX} = 5 \text{ J}$; $C = 0,64 \text{ nF}$

Thermometer

Amount.....	1
Sensor type	semiconductor
Measuring range.....	-55 °C to +125 °C
Accuracy.....	$\pm 0.5 \text{ °C}$ in range of -10 °C to +85 °C; otherwise $\pm 2 \text{ °C}$
Temperature drift.....	$\pm 0.2 \text{ °C}$ over 1000 hours at 125 °C

¹⁹ By default, Quido comes in version II. (inputs for voltage of 7 to 28 V).

The temperature sensor must not be used for:

- measurements in chemically aggressive environments
- measurements in areas with high electrical interference
- measurement of objects or devices under voltage

Sensor in shrinkable rubber coating:

Thermal response time 6 s

PVC cable for sensor in rubber coating:

Cable jacket PVC

Length 1, 3, 5, 10 or 15 meters

Working temperature range -10 to +70 °C

Cable diameter max. 4 mm

Sensor in metal housing:

Thermal response time $\tau_{50} = 6$ s, $\tau_{90} = 18$ s

Degree of protection IP 68 (immersion to a depth of up to 1m)

Housing material stainless steel CSN 17240 (DIN 1.4301)

Housing diameter 5.7 ± 0.1 mm

Housing length 60 mm

Insulation resistance min 200 M Ω at 500 V_{ss}, at 15 – 35 °C and max 80 % relative humidity

Nominal pressure PN 25

Silicone cable for sensor in metal housing:

Cable jacket silicone rubber, blue

Length 1, 3, 5, 10 or 15 meters

Working temperature range – permanent -60 °C to +200 °C

Maximum permissible temperature +220 °C

Cable diameter 4.3 mm (± 0.1 mm)

Control interface

Type 10/100 Ethernet

Connector RJ45

Communication speed of virtual port 115200 Bd (constant)

Default IP address 192.168.1.254

Default netmask 255.255.255.0

Default IP address of gateway 0.0.0.0

SMTP port 25 (fixed; without SSL, TLS, etc.)

Connectors

(Connectors for power supply, inputs, outputs)

Type.....Wago 236 terminal block

Conductor cross section0.08 to 2.5 mm²

The required length of stripping5 to 6 mm

Angle of wires to circuit board.....45°

Pitch between terminals.....5.08 mm

Method of attaching wires.....Wago CAGE CLAMP®²⁰

Other parameters

Power supply 8 to 30 V DC

Reverse polarity protectionyes, diode in series

Operating temperature of electronics -20 °C to +60 °C

Mounting holes – diameter3.2 mm

	No relays closed [mA]		All relay closed [mA]	
	12 V	24 V	12 V	24 V
Quido ETH 3/0	80	44		
Quido ETH 10/1	140	70	175	95
Quido ETH 4/4	140	70	280	150
Quido ETH 8/8	140	75	385	196
Quido ETH 30/3	140	75	250	135
Quido ETH 60/3	140	75	250	135
Quido ETH 100/3	140	75	250	135
Quido ETH 0/2	140	75	200	100
Quido ETH 2/16	140	75	620	320
Quido ETH 2/32	140	75	1135	560

Tab. 1 – Typical current consumption of I/O Quido ETH modules

²⁰ A plastic lever for easy connection of wires to the terminals is included. It is also possible to use a small flat screwdriver.

	Weight [g]
Quido ETH 3/0	40
Quido ETH 10/1	70
Quido ETH 4/4	95
Quido ETH 8/8	180
Quido ETH 30/3	155
Quido ETH 60/3	240
Quido ETH 100/3	350
Quido ETH 0/2	55
Quido ETH 2/16	325
Quido ETH 2/32	590

Tab. 2 – Weight of I/O Quido ETH modules (only electronic board without mounting components)

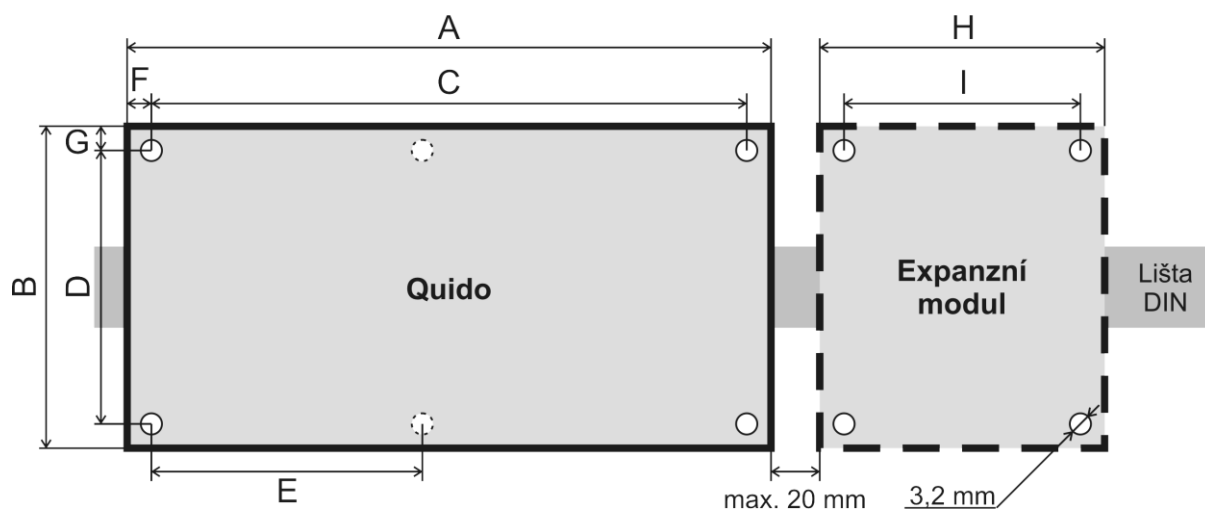


Fig. 23 – Dimensions (specific values are given in the following table)

	A	B	C	D	E	F	G	H	I	Height
Quido ETH 3/0	48	96	47	80		3	8			18
Quido ETH 10/1	74	96	67	80		3	8			20
Quido ETH 4/4	86	96	78	80		4	8			20
Quido ETH 8/8	138	96	130	80		4	8			20
Quido ETH 30/3	176	96	166	66		5	9			20
Quido ETH 60/3 ²¹	234	123	225	82	112	4	21			25
Quido ETH 100/3 ²¹	234	123	225	82	112	4	21			40
Quido ETH 0/2	54	96	48	80		3	8			20
Quido ETH 2/16	188	123	177	110		6	7			30
Quido ETH 2/32	188	123	177	110		6	7	137	130	30

Tab. 3 – Dimensions in millimeters (electronic boards without mounting components)

²¹ There is no upper left mounting hole on the board.

Board dimensions in the DIN rail holder

Width (parallel to DIN) Quido + 2 mm²²

Height (perpendicular to DIN) Quido + 5 mm

Added depth approximately 20 mm²³

²² Please beware that Quido ETH 2/32 is a two-part product. Add the dimension twice to the overall width.

²³ Added depth means the dimension between DIM rail and the PCB

Papouch s.r.o.

Data transmission in industry, line and protocol converters, RS232/485/422/USB/Ethernet/GPRS/WiFi, measurement modules, intelligent temperature sensors, I/O modules, customized electronic applications.

Address:

**Strasnicka 3164
102 00 Prague 10
Czech Republic**

Tel:

+420 267 314 268

Fax:

+420 267 314 269

Internet:

www.papouch.com

E-mail:

info@papouch.com

